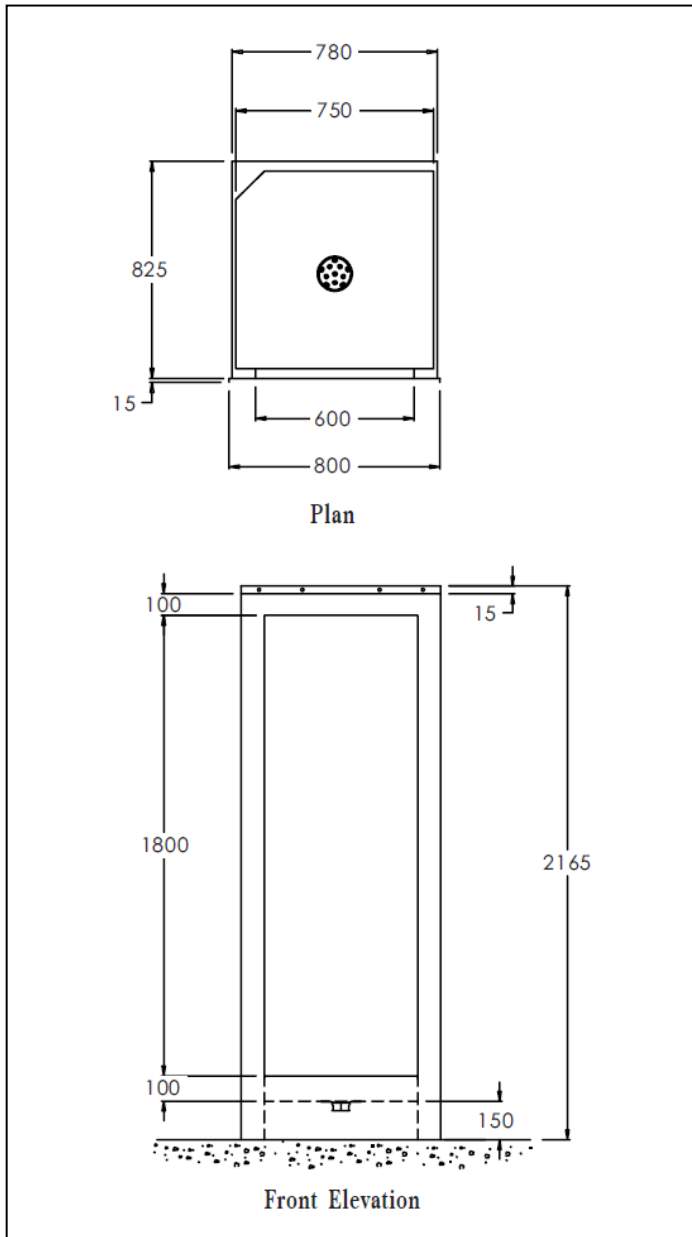


Technical Specification



Size

The standard shower cubicle size is 750 x 750 x 2000 mm high inside. Special non-standard sizes can also be supplied.

Waste Outlet

The shower cubicle is supplied with a 38 mm (1½ in) BSP unslotted flush grated waste fitting positioned centrally.

Spray Head

The shower cubicle is supplied, pre-assembled with a choice of the following:
Fixed vandal resistant spray head.
Fixed shower arm with swivel spray head.

Shower Valve

The shower cubicle is supplied, pre-assembled with a choice of the following:
Push button timed flow shower valve which gives approximately 20 seconds operation and requires a temperature controlled water supply.
Thermostatic shower valve which requires separate hot and cold water supplies.

Fittings

The shower cubicle is supplied with the following:
Stainless steel soap holder.
Heavy duty shower curtain and rail.

Product Code Selection for Order or Quotation

1. Base Product Code

- 571-shower cubicle welded unit
- 581-shower cubicle (knock down) unit

2. Size

- 750-standard 750 x 750 x 2000 mm
- S-special specify _____ x _____ x _____ mm

3. Spray Head

- VR-fixed vandal resistant
- SW-fixed arm with swivel head

4. Shower Valve

- TF-timed flow
- TC-thermostatic

5. Shower Cubicle Top

- OT-open top
- CT-closed top

6. Options

- RP-right hand (as facing) end closure panel
- LP-left hand (as facing) end closure panel

As improvements in the design and performance of Acorn Thorn Limited products is continuous specifications may be subject to change without notification